

Overview

The VK230 is an extremely flexible and low cost solution for connecting multiple devices together in a **fault tolerant data self-healing network**. Unlike most modems, there are no limitations on the number of nodes present in the network. Using **Packet Data Transmission technology**, the VK230 can transmit and receive data at speeds up to 112 Kbps throughout the network. Each unit is capable of receiving data from either an uplink or downlink and then re-transmitting the data to the respective uplink or downlink direction.

With an embedded micro-controller in the unit, all configurations and equipment settings can be easily managed through the **Network Monitoring System (NMS)**. Control signals which are used to control data path are **user programmable**, featuring: **master, sub-master and slave node** settings, anti-streaming logic (even though there is no data bubbling in the VK230 network), poll and respond data transmission timing, data rate, data terminating and other unique functions.

The **Graphics User Interface (GUI)** of the VK230 Network Monitoring System provides an user-friendly menu on a **standard PC** generally located at a control center. The network engineer may also utilize Vilink's TCP/IP Network Software Module option for monitoring multiple VK230 networks. There is also available a SNMP software package.

The VK230 is designed with **Automatic Gain Controls (AGC)** technique, a unique modulation scheme and state of the art circuit design. Specific optics provide the flexibility to meet any system requirement. The VK230 also provides a female DB25 for data connections, a female RJ11 for NMS PC connections, and a two-terminal block for power connection.



Features

- Support RS-232, RS-422 and RS-485 Interfaces
- Asynchronous Data Speed Up To 112 Kbps
- Master/Slave Configurations
- Distances Up To 50 Km Between Two Nodes
- Dual Optic With AGC Receivers
- Supervisory and Management with (GUI) NMS
- TCI/IP Software Package

Applications

- ITS Traffic Applications
- SCADA Network Applications
- Utility System
- Gas & Oil Fields Monitoring Applications
- Military Applications
- Data Communications Applications

Ordering Information

Model	Descriptions
VK230ST03	Fiber Optic Self-Healing Data Transceiver (ODT/R), 1310nm SM, ST, Standalone, Slave, +12VDC
VK230RST03	Fiber Optic Self-Healing Data Transceiver (ODT/R), 1310nm SM, ST, Rack Card, Master
*** Please Consult Factory for Additional Model Numbers***	

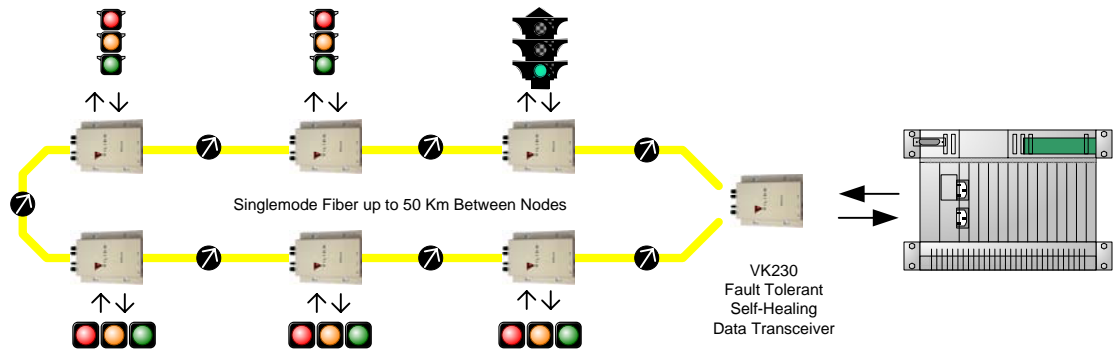
Specifications

System:	
Node Manager	Network Monitoring System
Graphics User Interface	Windows-Base Panel Display
UART Communications	RS-232 Interfaces
Data Rate	Up to 19.2 Kbps
Connector	RJ 11
Indicators	PWR, Alarm
Network Interface:	
Ports	10/100M Ethernet (Option)
Remote Connection	RJ45
IP Address	Device ID
Local Connection	RJ11
Data Format	RS-232 Protocol
Configuration	Point-to-Point or Broadcast

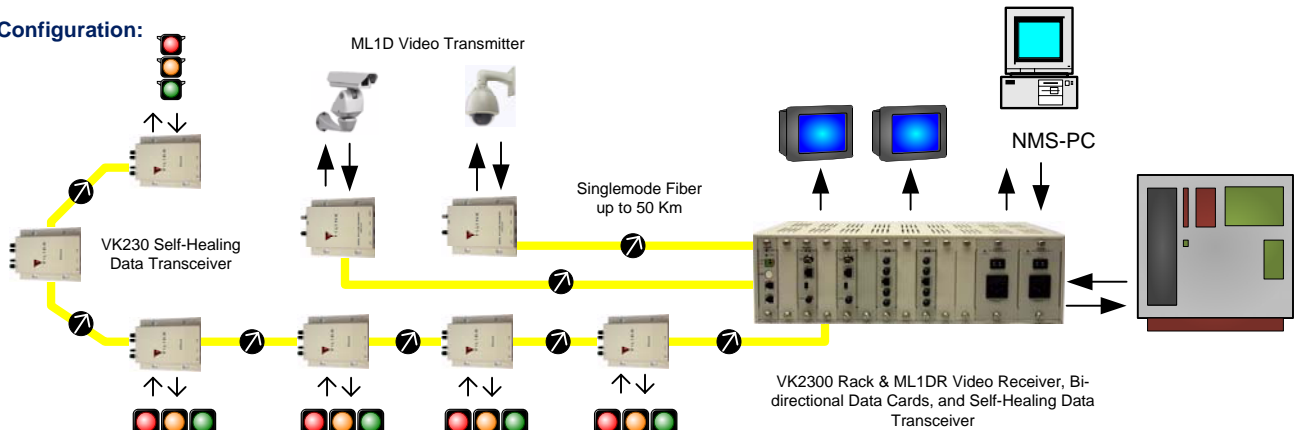
I/O Modues:	
Video	Video and Data
Data Transceivers	Self Healing Data
T1/E1	1-4 Channel T1/E1
Ethernet	10/100M Ethernet
Clock & Data Tx/Rx Converter	High Speed Clock and Data Optical Mode Converter
Environment:	
Operating	-34 ⁰ C to +74 ⁰ C
Storage	-40 ⁰ C to + 95 ⁰ C
Humidity	98% Non-Condensing
Physical:	
Dimension	19" x 12" x 5.25"
Power	90-240 @ 0.5 Amp

Applications

Single Ring Configuration:



Multi Rings Configuration:



Typical VK2300P2-NMS Application